

Offset Pivot Sets

0147 Pivot Set - 3/4" Offset

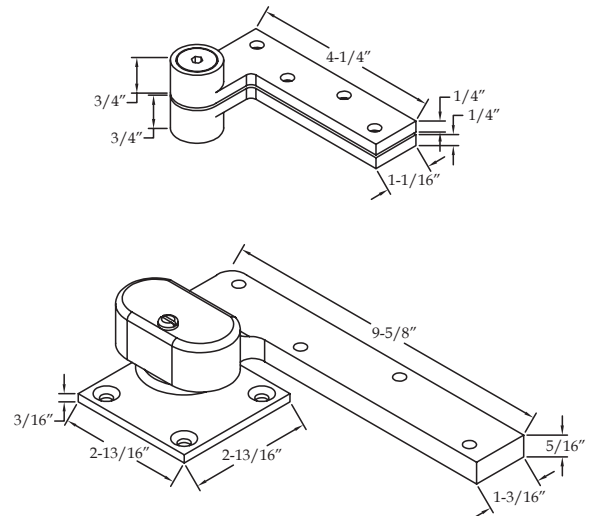
Standard Features

- 0180 Top Pivot
 - Frame leaf mortises into header
 - Door leaf mortises into top of door
- 0147 Bottom Pivot
 - Bottom leaf mounts on top of concrete floor
 - Door leaf mortises into bottom of door
- Handed – Specify LH or RH
- Maximum door load - 600 pounds
- Maximum door width - 48"
- UL listed for use on 3-hour fire rated doors - **Standard**
- Heavy duty bearings
- Stainless steel base material

Options

- **EXTS** - Extended Spindle on bottom pivot (up to 2" longer than standard)
- **EXTP** - Extended Pin on top pivot (up to 3/4" longer than standard)
- **SEC** - Security fasteners
- **B** - Bottom pivot only (no top pivot)

Meets or exceeds
ANSI C07162 & C07202



0147-1.5 Pivot Set - 1-1/2" Offset

Standard Features

- 0180-1.5 Top Pivot
 - Frame leaf mortises into header
 - Door leaf mortises into top of door
- 0147-1.5 Bottom Pivot
 - Bottom leaf mounts on top of concrete floor
 - Door leaf mortises into bottom of door
- Handed – Specify LH or RH
- Maximum door load - 350 pounds
- Maximum door width - 48"
- UL listed for use on 3-hour fire rated doors - **Standard**
- Heavy duty bearings
- Stainless steel base material

Options

- **EXTS** - Extended Spindle on bottom pivot (up to 2" longer than standard)
- **EXTP** - Extended Pin on top pivot (up to 3/4" longer than standard)
- **SEC** - Security fasteners
- **B** - Bottom pivot only (no top pivot)

Meets or exceeds
ANSI C07162 & C07202

