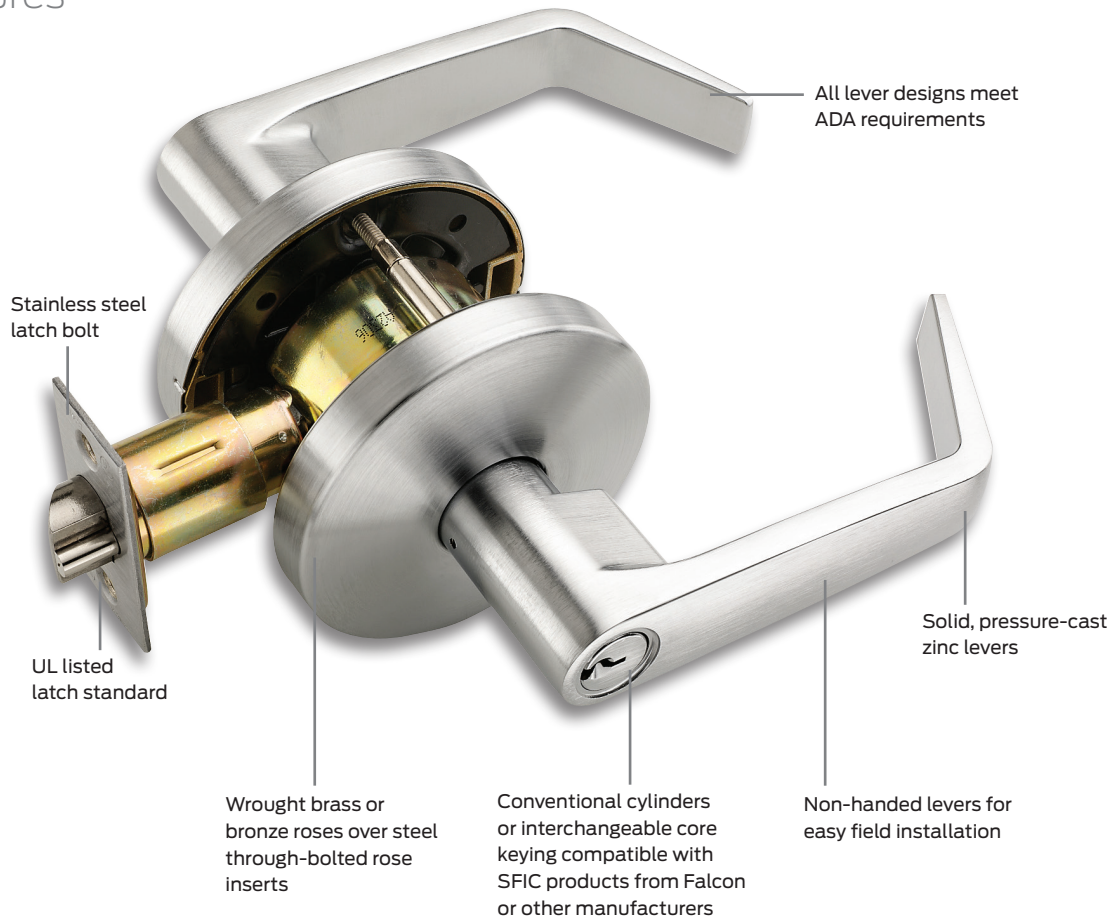


W Series

Grade 2, medium-duty cylindrical lever and knob locks

Designed to offer more functions and finish options than other grade 2 locks, W Series has what you need at the right price. With seven popular lever styles along with two knob styles and your choice of rose diameters (large and small), Falcon W Series can match most commercial door trim. The Falcon W Series locks feature conventional cylinders and small format interchangeable cores that are compatible with SFIC products from other manufacturers. Our conventional cylinders are available in all Falcon conventional key sections as well as Schlage C keyway, which we now masterkey across the complete Falcon product line. The Falcon W Series offers quality product at a value price, and is backed by one of the best names in the business - Allegion.

Features



Specifications

W Series

Product specifications

ANSI/BHMA: Certified ANSI/BHMA A156.2, Series 4000, Grade 2.

UL: Listed for 3-hour fire door, A label.

Functions: 11 commercial functions available. See page 10 for details.

Rose size: Standard rose diameter $3\frac{3}{8}$ ". Small rose diameter $2\frac{9}{16}$ ".

Finishes: 8 options available. See page 6 for finish color and comparative chart.

Door thickness: $1\frac{3}{8}$ " to $1\frac{3}{4}$ " standard.

Backset: Standard rose - $2\frac{3}{4}$ " backset; Small rose - $2\frac{3}{8}$ " backset.

Mechanism: Parts constructed of brass or cold-formed steel, zinc plated and dichromated for rust resistance. Springs are stainless steel.

Attachment: Lock chassis secured to door by two screws which pass through a steel rose insert inside and thread directly into the outer rose-mounting assembly, and two screws that screw into the chassis assembly.

Handing: Locks are non-handed.

Cylinder: Conventional cylinder, drilled with 6-pin chambers, pinned in 5 comes standard. Pinning in 6 chambers available (at no cost) when specified. Optional 7-pin conventional and 6- or 7-pin Small Format Interchangeable Core (SFIC) cylinders. Cylinder housings and plugs machined from solid brass. Springs are phosphor bronze. Two nickel silver keys furnished standard. See SFIC cylinder information on page 8 and W Series cylinder pages for additional options.

Keyways: "G" keyway standard on conventional cylinders. "A" keyway standard on SFIC cylinders. Additional options: Falcon, Schlage and many Best and Arrow keyways.

Trim: Roses are heavy wrought brass or bronze, installed over steel rose inserts which are through-bolted. Levers are pressure-cast zinc (solid levers-no-inserts) finished to match mating parts.

Latches: $\frac{1}{2}$ " bolt projection made of stainless steel and UL listed for 3-hour door assemblies. Latches have self-adjusting fronts to accommodate beveled or flat doors. Standard rose: $2\frac{3}{8}$ " backset with 1 " x $2\frac{1}{4}$ " latch face or $2\frac{3}{4}$ " backset with $1\frac{1}{8}$ " x $2\frac{1}{4}$ " latch face. Small rose: $2\frac{3}{4}$ " backset with $1\frac{1}{8}$ " x $2\frac{1}{4}$ " latch face.

Strikes: $4\frac{7}{8}$ " x $1\frac{1}{4}$ " ANSI strike with curved lip to meet ANSI A115.2 door frame preparation standard. Consult Options and Accessories section for other available strikes, sizes and configurations.

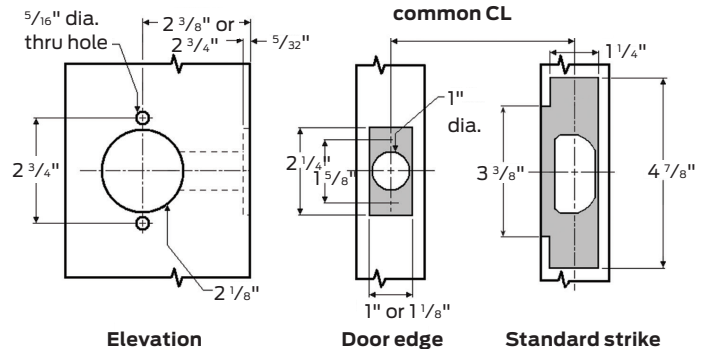
Screws: Furnished with combination screws for use in wood or metal doors and frames.

Architectural specifications

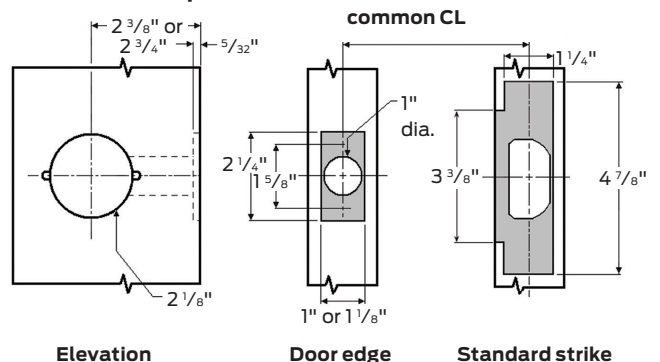
Key-in-lever cylindrical locksets shall be Falcon W Series or equal and meet the following requirements:

- All locks shall meet ANSI/BHMA A156.2, Series 4000, Grade 2 test requirements for key-in-lever locksets
- Locksets shall be UL Listed 3-hour, A Label
- Lever trim shall have individual, heavy-duty springs for lever return and to prevent lever sag; trim shall be through-bolted
- All lever designs shall be solid (no inserts) and meet the federal ADA and state disability requirements
- Locksets shall adjust to fit door thickness from $1\frac{3}{8}$ " to $1\frac{3}{4}$ "
- All locksets shall be non-handed and not require field disassembly for re-handing
- Preparation for door must be non-handed (Acceptable manufacturer: Falcon lock)

Standard rose template



Small rose template

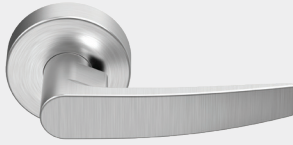


Designs and styles

Levers styles

Levers are solid pressure cast zinc, finished to match mating parts. Roses are wrought brass or bronze installed over steel through-bolted rose inserts. A spring-loaded retainer secures levers. Secure side retainer cannot be depressed without a key that operates the lock.

Avalon (A)



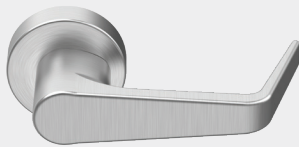
Boardwalk (BRK)



Broadway (BRW)



Dane (D)



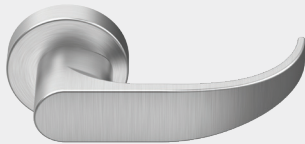
Latitude (LAT)



Longitude (LON)



Quantum (Q)

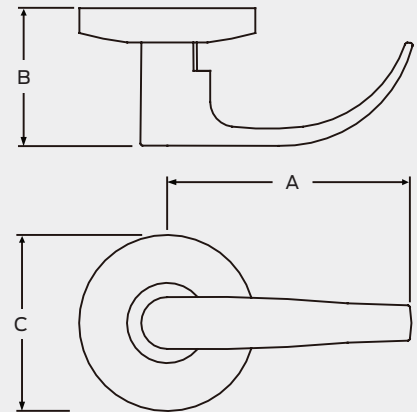
Standard rose
Dane lever
shownSmall rose
Dane lever
shown

Lever dimensions chart

Lever	A - width	B - projection	C - rose	
			Standard	Small (SR)
Avalon (A)	4 1/2"	2 1/2"	3 3/8"	2 9/16"
Boardwalk (BRK)	5"	2 1/2"	3 3/8"	2 9/16"
Broadway (BRW)	4 1/2"	2 1/2"	3 3/8"	2 9/16"
Dane (D)	4 5/8"	2 1/2"	3 3/8"	2 9/16"
Latitude (LAT)	4 1/2"	2 3/8"	3 3/8"	2 9/16"
Longitude (LON)	5"	2 3/8"	3 3/8"	2 9/16"
Quantum (Q)	4 5/8"	2 3/8"	3 3/8"	2 9/16"

Note: Return to door meets 1/2" requirement for Dane (D), Quantum (Q), Boardwalk (BRK) and Longitude (LON) levers.

Specify lever only if standard rose is desired. When ordering small rose you must specify both rose and lever. Example: Small rose-Avalon specify as SRA; Small rose-Latitude specify as SRLA; Small rose-Quantum specify as SRQ.



Abrasive strip levers

Dane, and Quantum levers are available with an abrasive strip along the inside length of the lever to identify entrances that may be to areas hazardous to the handicapped. To order, preface the design code with a 6 (example: 6D for Dane). Not available on 613 finish as abrasive strip will not hold.

Designs and styles

Knob styles

Knobs are constructed of brass or cold-formed steel and are zinc-plated and dichromated for rust resistance. Springs are stainless steel. Roses are heavy-wrought brass or bronze, installed over wrought steel reinforcing plates. Knobs are brass or bronze, secured by a steel knob retainer, which cannot be depressed when lock has been locked.

Cointurn
Elite shown



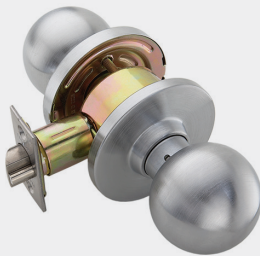
Cylinder
Elite shown



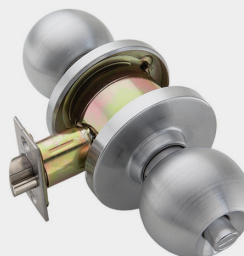
Interchangeable core
Elite shown



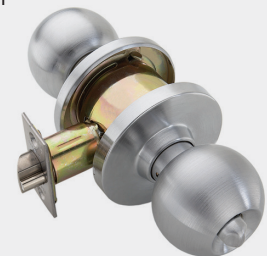
Plain
Hana shown



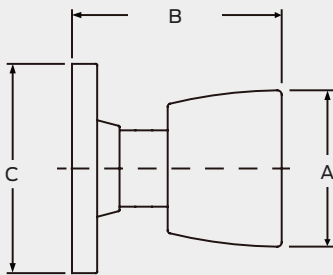
Pushbutton (interior)
Hana shown



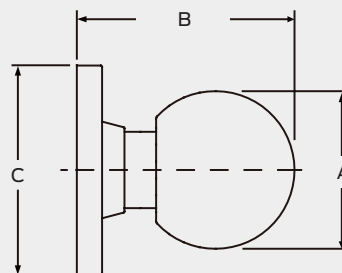
Thumbturn (interior)
Hana shown



Elite



Hana



Knob dimensions chart

Knob	A - width	B - projection	C - rose
			Standard
Elite (E)	2 1/8"	2 15/32"	3 3/8"
Hana (H)	2 3/16"	2 9/16"	3 3/8"

Finishes

Levers: Available in BHMA 605, 606, 613, 619, 622, 625, 626 and 643e.

Knobs: Available in BHMA 605, 606, 613, 625, and 626. See page 6 for finish color and comparative chart.

Cylinders

W Series cylinders

Falcon Small Format Interchangeable Core (SFIC) cylinders

Falcon offers a wide selection of keyways in SFIC cylinder formats. Master keying is available and, in most cases, Falcon can even furnish cores master keyed into existing Best or Arrow key systems. See page 8 for details.

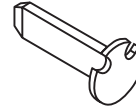
Conventional cylinders (Falcon keyways)

Catalog number	Description
Q330-154	Falcon (specify keyway)

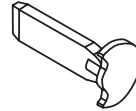
Note: The "G" keyway is standard and will be supplied unless otherwise specified. Master keying is available for 2, 3, and 4 levels. Open keyways include E, H, K, L, and P. If ordering cylinders as parts, specify finish: 606, 622 or 626.



Conventional cylinder



Q330-164
Conventional cylinder tailpiece (all other functions)



Q330-165
Conventional cylinder tailpiece (W561 function)

To order conventional cylinders in competitive keyways (6-pin)

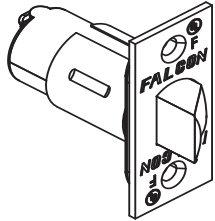
When specifying a competitive cylinder, reference How-to-order page for correct cylinder suffix and be sure to list brand plus keyway under the "Keyway" section and the correct part number below in the "Other Requirements" area of the part number order string.

Brand	Keyway	O-Bit	KA	KD	Lock function
Corbin	60	Q330-166	-	Q330-166-KD	All except 561
		Q330-167	-	Q330-167-KD	561
Corbin Russwin	L4	Q330-158	-	Q330-158-KD	All except 561
		Q330-159	-	Q330-159-KD	561
Russwin	D1	Q330-210	-	Q330-210-KD	All except 561
		Q330-211	-	Q330-211-KD	561
Sargent	LA	Q330-160	-	Q330-160-KD	All except 561
		Q330-161	-	Q330-161-KD	561
Schlage	C	Q330-152	Q330-152-KA	Q330-152-KD	All except 561
		Q330-153	Q330-153-KA	Q330-153-KD	561
Yale	8 (Para)	Q330-156	-	Q330-156-KD	All functions

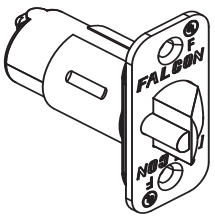
Note: Construction keying available. Reference page 9 for more information.

Options

Latches



1/2" projection



1/2" projection

Grade 1, UL listed

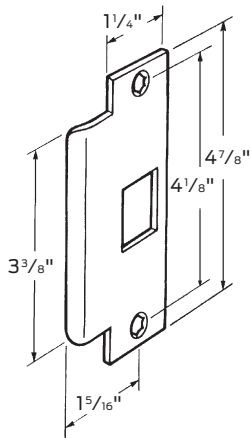
	Specify	Backset	Function(s)	Description
Springlatch	30-206 ¹	2 3/4"	101, 301	Square corner, 1 1/8" x 2 1/4", standard
	30-204	2 3/4"	101, 301	Square corner, 1" x 2 1/4"
	30-205	2 3/4"	101, 301	Radius corner, 1" x 2 1/4"
	30-209 ¹	2 3/8"	101, 301	Square corner, 1 1/8" x 2 1/4"
	30-207	2 3/8"	101, 301	Square corner, 1" x 2 1/4"
	30-208	2 3/8"	101, 301	Radius corner, 1" x 2 1/4"
Deadlatch	30-194	2 3/4"	201, 511, 571, 711	Square corner, 1 1/8" x 2 1/4"
	30-192	2 3/4"	201, 511, 571, 711	Square corner, 1" x 2 1/4"
	30-193	2 3/4"	201, 511, 571, 711	Radius corner, 1" x 2 1/4"
	30-200 ¹	2 3/8"	201, 511, 571, 711	Square corner, 1 1/8" x 2 1/4"
	30-198	2 3/8"	201, 511, 571, 711	Square corner, 1" x 2 1/4"
	30-199	2 3/8"	201, 511, 571, 711	Radius corner, 1" x 2 1/4"
	30-197 ¹	2 3/4"	161, 501, 511, 561, 581	Square corner, 1 1/8" x 2 1/4", non-restoring, standard
	30-195	2 3/4"	161, 501, 511, 561, 581	Square corner, 1" x 2 1/4, non-restoring
	30-196	2 3/4"	161, 501, 511, 561, 581	Radius corner, 1" x 2 1/4, non-restoring
	30-203 ¹	2 3/8"	161, 501, 511, 561, 581	Square corner, 1 1/8" x 2 1/4", non-restoring
30-201	2 3/8"	161, 501, 511, 561, 581	Square corner, 1" x 2 1/4, non-restoring	
30-202	2 3/8"	161, 501, 511, 561, 581	Radius corner, 1" x 2 1/4, non-restoring	

1. Available with small rose.

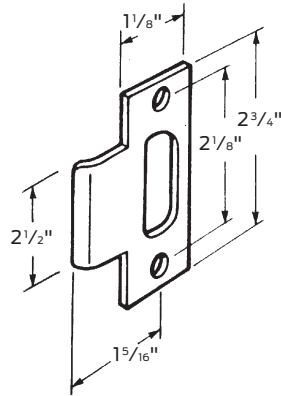
Note: Specify finish 605, 606, 613, 619, 622, 625, 626, or 643e. All latches for W Series locks are UL listed and have a 1/2" bolt projection.

Strikes

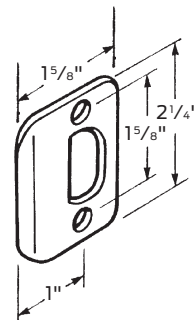
Locks furnished with a 4 7/8" ANSI Strike unless otherwise specified.



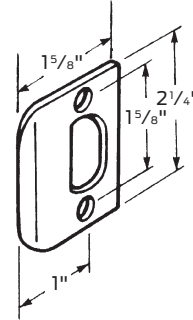
30-148
ANSI prep A115.2
(standard)



30-149
T-strike square corner



30-150
Full lip, 1/4" radius corner



30-151
Full lip, square corner