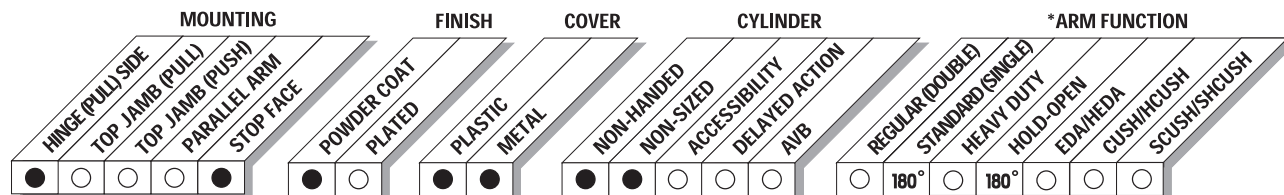


The 1450T is a fully universal slim line, single lever (track) arm closer designed for interior use on narrow head frames and top rails. Our patented appearance maintains the integrity of the building design making it a great choice for interior doors.

<b>Certifications</b>	Grade 1 - ANSI A156.4, UL 10C, 100 Hour Salt Spray, Meets BAA - Buy American Act	<b>Cover</b>	<ul style="list-style-type: none"> <li>■ Alternate Plastic Cover</li> <li>■ Slim Line, Standard</li> <li>■ Full Plastic or Full Metal, Optional</li> </ul>
<b>Body Construction</b>	<ul style="list-style-type: none"> <li>■ Cast Aluminum Body</li> <li>■ Full Complement Bearing</li> <li>■ 1-1/4" Diameter Piston</li> <li>■ 5/8" Diameter Single Heat Treated Pinion Journal</li> </ul>	<b>Fasteners</b>	Universal Screw Pack (UNIV)
<b>Fluid</b>	All Weather Fluid	<b>Mounting</b>	Pull side on door, push side on door
<b>Handing</b>	Non-Handed	<b>Arms</b>	Single lever track arm with track roller
<b>Templating</b>	3/4" x 12" Mounting Hole Pattern	<b>Finishes/Colors/ Powder Coat</b>	<ul style="list-style-type: none"> <li>■ Aluminum (689)</li> <li>■ Statuary Bronze (690)</li> <li>■ Light Bronze (691)</li> <li>■ Black (693)</li> <li>■ Dark Bronze (695)</li> <li>■ Brass (696)</li> <li>■ Custom colors optional</li> <li>■ Optional SRI primer - powder coat only</li> </ul>
<b>Size</b>	<ul style="list-style-type: none"> <li>■ Adjustable Spring Size 2-3</li> </ul>		
<b>Warranty</b>	25 years		

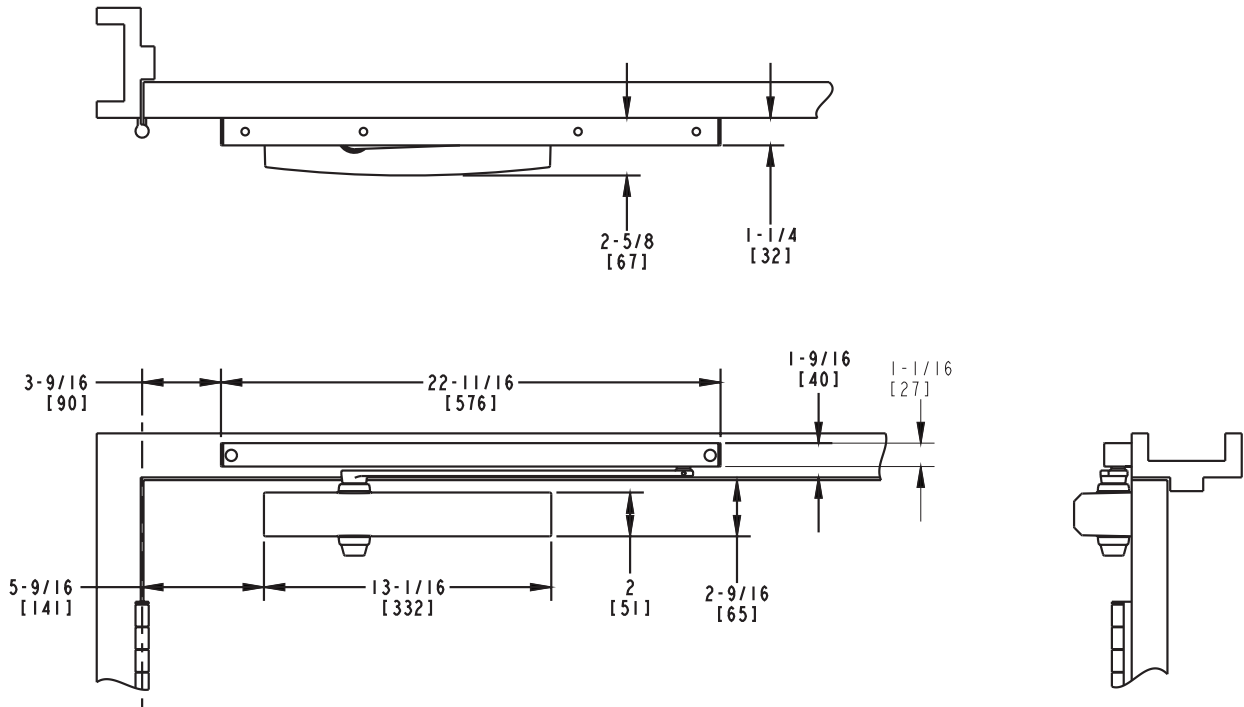
### Special Templates

Customized installation templates or products may be available to solve unusual applications. Contact LCN Product Support for assistance.

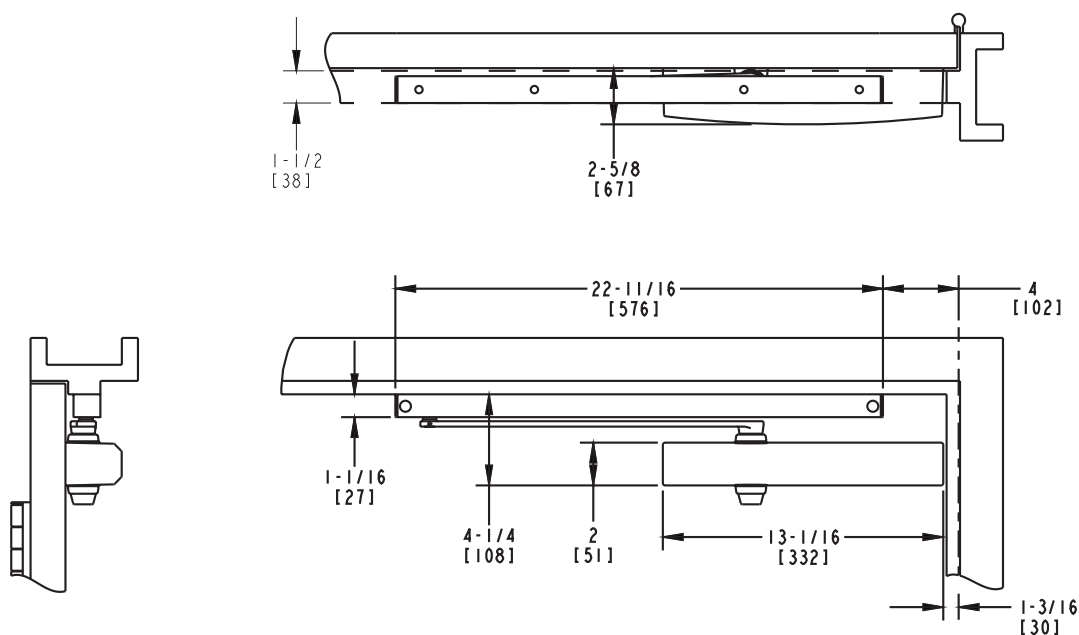


● AVAILABLE  
○ NOT AVAILABLE

\* Maximum opening/hold-open point with standard template.



<b>Butt Hinges</b>	Should not exceed 5" (127 mm) in width
<b>Auxiliary Stop</b>	<ul style="list-style-type: none"> <li>Recommended where a door cannot swing 180°</li> <li>Optional track bumper assembly assists backcheck in cushioning the opening swing of the door. It is not intended to replace an auxiliary stop</li> </ul>
<b>Reveal</b>	Should not exceed 1/8" (3 mm)
<b>Top Rail</b>	<ul style="list-style-type: none"> <li>Less than 2-3/8" (60 mm) requires PLATE 1450T-18</li> <li>Plate requires 1-5/8" (41 mm) minimum top rail</li> <li>With Full cover, use PLATE, 1450T-18FC</li> </ul>
<b>Clearance</b>	2-5/8" (67 mm) behind door required for installation
<b>Maximum opening</b>	<ul style="list-style-type: none"> <li>Templating allows up to 180°, trim and frame permitting, limited to 120° when optional bumper is installed</li> <li>Be aware that the majority of track style closers are at their weakest closing force in the 180°-130° range</li> <li>Consult factory for applications where an exterior or large/heavy door must swing 180°</li> </ul>



<b>Butt Hinges</b>	Should not exceed 5" (127 mm) in width
<b>Auxiliary Stop</b>	<ul style="list-style-type: none"> <li>Recommended where a door cannot swing 120°</li> <li>Track bumper assembly assists backcheck in cushioning the opening swing of the door. It is not intended to replace an auxiliary stop</li> </ul>
<b>Top Rail</b>	<ul style="list-style-type: none"> <li>Less than 4-1/16" (103 mm) requires PLATE, 1450T-18. Plate requires 3-1/16" (78 mm) minimum top rail.</li> <li>With Full cover, use PLATE, 1450T-18PAFC</li> </ul>
<b>Clearance</b>	Projects 2-5/8" (67 mm) from face of door
<b>Stop Width</b>	Minimum 1-1/4" (32 mm)
<b>Maximum opening</b>	<ul style="list-style-type: none"> <li>Templating allows 120°, limited to 100° when optional bumper is installed</li> <li>Variable hold-open angles with infinite options</li> </ul>

### Cylinders



**1450T-3071**  
Cast Aluminum Cylinder Assembly

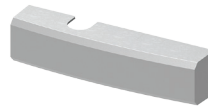
- Non-handed
- Standard

### Covers



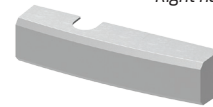
**1450T-72**  
Slim Line Plastic Cover

- Non-handed
- Standard



**1450T-72FC**  
Full Plastic Cover

- Non-handed
- Optional

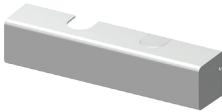


*Right hand shown*

**1450T-72MC**  
Metal Cover

- Handed
- Optional

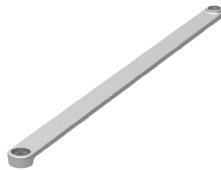
### Alternate Cover



**1450-72ALT**  
Alternate Cover

- Non-handed
- Optional, sold separately (not packed with closer)

### Arm



**1450T-3077T**  
Standard Arm

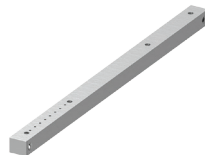
- Non-handed
- Arm does not include track roller

### Tracks



**1450T-3038**  
Standard Track

- Non-handed
- Non hold-open
- Will accept hold-open clip and/or bumper assembly
- Standard



**1450T-3038B**  
Standard Track with Bumper

- Non-handed
- Non hold-open
- Will accept hold-open clip
- Optional



**1450T-3038H**  
Hold-Open Track

- Non-handed
- With hold-open clip installed
- Will accept bumper assembly
- Optional



**1450T-3038HB**  
Hold-Open Track with Bumper

- Non-handed
- With hold-open clip and bumper assembly installed
- Optional

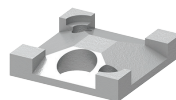
## Installation Accessories

**1450T-18 / 1450T-18FC**  
Plate

- Required for pull side (door mount) where top rail is less than 2-3/8" (60 mm)
- Requires minimum 1-5/8" (41 mm) top rail
- Required for push side (door mount) where top rail is less than 4-1/16" (103 mm) measured from the stop
- Requires minimum 3-1/16" (78 mm) top rail

**1450T-169**  
Track Bumper

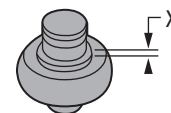
- Mounts in track to assist backcheck, does not replace auxiliary stop
- Limits maximum opening
- Consists of bumper, bumper post, and mounting screw

**1450T-3054**  
Hold-Open Clip

- Mounts in track to provide hold-open function
- Hold-open point controlled by clip location
- Consists of clip and mounting screws
- Requires 1450T-3034H Hold-Open Track Roller

**1450T-3034H**  
Hold-Open Track Roller

- Quiet, low friction roller assembly
- Shoulder dimension "X" = 1/8" (3 mm)
- Can be used without hold open clip



### How-to-order 1450T Series closers

#### 1. Select finish

- Standard Powder Coat \_\_\_\_\_  
Aluminum, Dark Bronze, Statuary,  
Light Bronze, Black, Brass

#### Closer will be shipped with:

- Standard cover
- Standard cylinder
- Standard track arm
- Standard track
- Track roller
- Universal Screw Pack (UNIV)

### Closer options

#### Cover

- Full Plastic Cover (FC)
- Metal (Specify right or left handed) (MC)
- Alternate Cover (ALT) (sold separately from product)

#### Finish

- Custom Powder Coat (RAL) \_\_\_\_\_  
(Metal cover required)
- SRI primer (for use with powder coat finishes only)

#### Track

- Regular with Bumper (BUMPER)
- Hold-Open (HO)
- Hold-Open with Bumper (HBUMPER)

#### Installation accessories

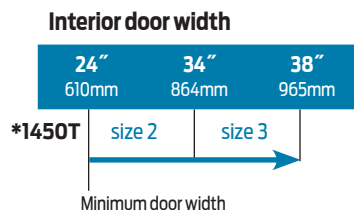
- Plate, 1450T-18
- Plate, 1450T-18FC

#### Special template

- ST- \_\_\_\_\_

### Table of sizes

- Select closer based on width of door.
- Non-sized 1450T cylinder is adjustable from sizes 2 thru 3 and is shipped set to size 2.



→ Indicates recommended range of door width for closer size.  
\* Adjustable Size 2 thru 3.



