

VON DUPRIN®

6200 Series

Strikes for mortise or cylindrical devices



Overview

Von Duprin electric strikes are known for their reliability, durability and security. The 6200 Series is designed to withstand abuse. Its heavy-duty stainless steel construction is fully UL1034 and UL10C Listed and ANSI/BHMA Grade 1, 1500 lb hold force rated.

6200 Series electric strikes are designed for use with a variety of mortise or cylindrical locksets, as well as mortise exit devices. It interfaces with the latch mechanism of the exit device. The 6200 Series movable lip (keeper) allows a door to open, even when the latch bolt is extended. This feature, called remote release provides added benefits such as increased convenience and efficiency. The 6200 Series also provides added security and traffic control.

6200 Series electric strikes can be used for retrofit applications or new construction. To assure the proper selection of an electric strike on new applications, lockset compatibility charts are shown on the next page. When using a lockset not listed or when retrofitting a strike to an existing application, please contact Von Duprin Technical Support for application assistance.

The power failure mode of the 6200 Series can be specified at the time of order. Fail-secure is available for fire rated openings. In a fail-secure application, the door is normally locked. To unlock the door power must be applied. Fail-safe strikes, which are commonly used for life safety applications, are non-fire rated. To unlock a fail-safe strike, power is removed. The 6200 Series comes standard with 24 VDC; 12 VDC and AC operation are optional.

Features and benefits

- Non handed design provides greater flexibility
- Strike box is adjustable to compensate for misalignment of the door or frame
- Two piece plug connectors are furnished for ease of installation and for removal during strike servicing
- ANSI 156.5 Grade 1, 1500 lb hold-force rated
- UL1034 Burglary-Resistant and UL10C Electric Strike for Fire Door
- Six finishes available to suite with existing hardware
- Durable stainless steel construction
- 24 VDC standard with 12 VDC and AC operation optional
- Meets BHMA A156.31, Grade 1 for endurance and strength
- Static strength 1500 lbs
- Dynamic strength 70 ft-lbs
- Endurance 1,000,000 cycles
- Allegion Connect option available

6200 Series specifications

	12VDC	24VDC
Resistance in ohms +/- 10% @ 70F	21	82
Watt-seated @ 70F	7.5	8
Amps-seated @ 70F	0.6	0.33
Amps-inrush @ 70F	0.6	0.33

Mortise lockset compatibility^{1,3}

6211, 6211AL, 6211WF, 6212, 6213, 6214, 6215, 6221, 6222, 6223, 6224, 6224AL, 6225 and 6226 strikes

Manufacturer	Model number
Von Duprin	7500
Adams Rite	4510, 4710
Baldwin	6000
Best	24H, 30H
Corbin	9000
Falcon	M2300, M2500, M2600, M3300, M3500, M3600
Precision	Mortise
Russwin	Mortise
Sargent	7700, 8100, 9000
Schlage	L9000, K30, K40, K50, K60
Yale	7030, 7130, 8600, 8700

Mortise lockset compatibility^{1,3}

6210

Manufacturer	Model number
Von Duprin	7500
Best	30H (not 45H/47H)
Corbin/Russwin	ML2200, 5000, 9000, CR2200 (not 2000)
Falcon	M100, M200, M300, M400, M500, M600
Sargent	7700, 8100 (not 7800/8200)
Schlage	L9000
Yale	8700 (not 8800)

Cylindrical lockset compatibility^{1,3}

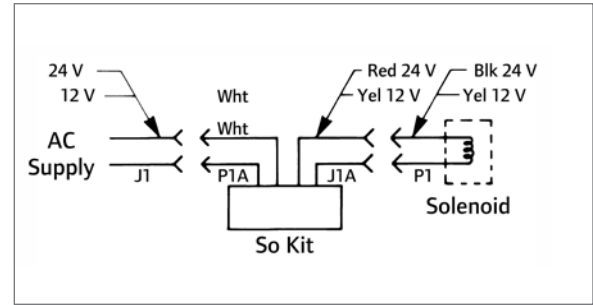
6211, 6211AL, 6211WF, 6212, 6213, 6214, 6215, 6221, 6222, 6223, 6224, 6224AL, 6225 and 6226 strikes

Manufacturer	Cylindrical latchbolt projection
Baldwin	1/2" - 3/4" (13 mm - 19 mm)
Best	3/8" - 3/4" (10 mm - 19 mm) ²
Corbin	1/2" - 3/4" (13 mm - 19 mm)
Falcon	1/2" - 3/4" (13 mm - 19 mm)
Russwin	1/2" - 3/4" (13 mm - 19 mm)
Sargent	1/2" - 3/4" (13 mm - 19 mm)
Schlage	3/8" - 3/4" (10 mm - 19 mm) ²
Yale	1/2" - 3/4" (13 mm - 19 mm)

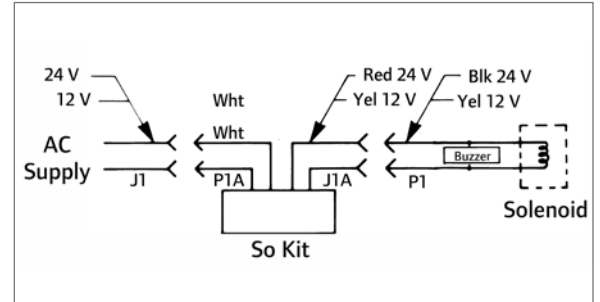
1. Von Duprin cannot guarantee compatibility, as other manufacturer's designs may change without notice.
2. Signalling may not function when using 3/8" (10 mm) throw bolt. Deadlocking cannot be guaranteed with all locks.
3. When using a lockset not listed or when retrofitting a strike to an existing application, please contact Von Duprin Technical Support for assistance.

Wiring

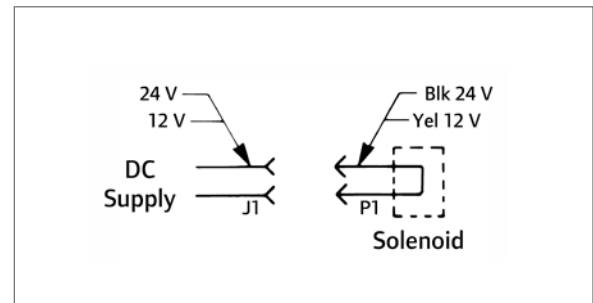
AC



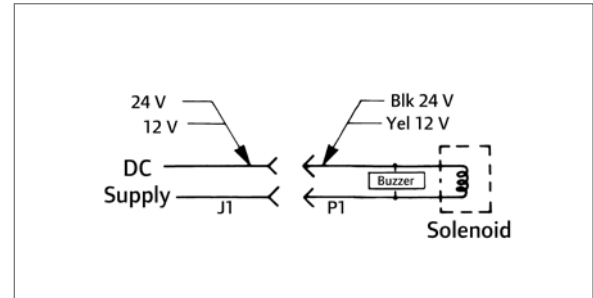
AC with Buzzer



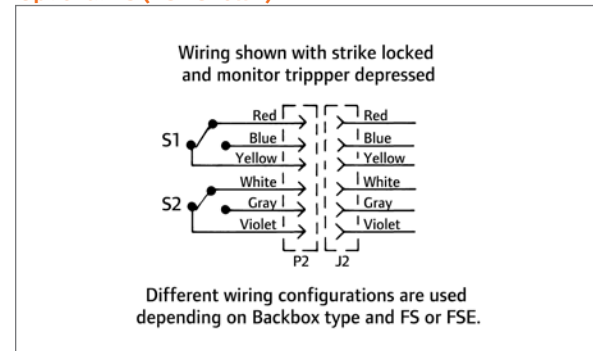
DC



DC with Buzzer



Optional DS (FSE Shown)



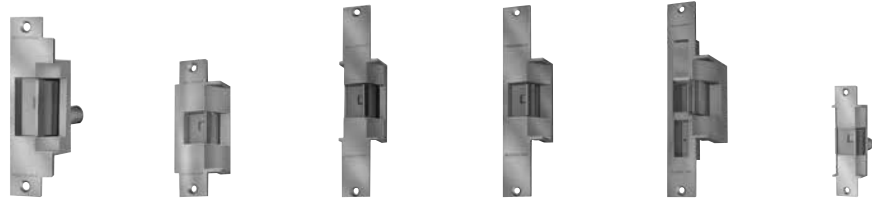


Model specifications

Model number		6210	6211	6211AL	6211WF	6212
Retrofits model		N/A	VD 3140 FA 712	FA 722	FA 732	VD 3146
Latchbolt throw		3/4"	3/4"	3/4"	3/4"	3/4"
Face plate length		4 7/8"	4 7/8"	4 7/8"	4 7/8"	6 3/8"
Backbox depth		1 21/32"	1 21/32"	1 21/32"	4 1/2"	1 21/32"
Lockset	Mortise	■	■	■	■	■
	Cylindrical	---	■	■	■	■
Number of doors	Single	■	■	■	■	■
	Pair	---	---	---	---	---
Door and frame type	Hollow metal	■	■	---	---	■
	Aluminum	■	■	■	---	■
	Wood	---	---	---	■	---
Options	DS or DS-LC (dual monitor switches)	■	■	■	■	■
	EB (entry buzzer - fail-secure only)	■	■	■	■	■
	28 VDC AC rectifier kit	■	■	■	■	■
	16 VDC solenoid	■	■	■	■	■
Certifications	UL1034	■	■	■	■	■
	UL10C	■	■	■	■	■
	ANSI/BHMA 156.5 Grade 1 1500 lb Hold force rated	■	■	■	■	■
Application Notes		1	2	3	4	5

Application notes:

- For use with mortise locks without deadbolt on single door, hollow metal frame applications and using ANSI prep at standard height. Strike pocket inserts are provided to accommodate different manufacturers deadlocking trigger locations.
- For use on new installations with mortise locks without deadbolt or cylindrical locks on single door, hollow metal frame applications. Designed to replace Von Duprin 3140 or Folger Adam 712.
- For use on new installations with mortise locks without deadbolt or cylindrical locks on single door, aluminum frame applications.
- For use on new installations with mortise locks without deadbolt or cylindrical locks on single door wood frame applications. Designed to replace Folger Adams 732. Wood frame horizontal solenoid location differs from Folger Adams. Requires additional frame prep when retrofitting.
- For use with mortise locks without deadbolt or cylindrical locks on single door, hollow metal or aluminum frame applications. Fits modified ANSI 115.2 cutout. Designed to replace Von Duprin 3146.



Model specifications

Model number		6212WF	6213	6214	6215	6216	6221
Retrofits model		N/A	VD 3041 VD 3042 VD 3061 VD 3062	FA 310-2 3/4	FA 310-2	FA 310-3-1	VD 3071 VD 3072
Latchbolt throw		3/4"	3/4"	3/4"	3/4"	3/4"	3/4"
Face plate length		6 3/8"	6"	9"	9"	9"	6"
Backbox depth		4 3/4"	2 1/2"	1 5/8"	1 5/8"	3 5/32"	4 3/4"
Lockset	Mortise	■	■	■	■	■	■
	Cylindrical	■	■	■	■	---	■
Number of doors	Single	■	■	■	■	■	---
	Pair	---	---	---	---	---	■
Door and frame type	Hollow metal	---	■	■	■	■	■
	Aluminum	---	■	■	■	■	■
	Wood	■	See note 2 below	---	---	■	■
Options	DS or DS-LC (dual monitor switches)	■	■	■	■	■	■
	EB (entry buzzer - fail-secure only)	■	■	■	■	■	■
	28VDC AC rectifier kit	■	■	■	■	■	■
	16VDC solenoid	■	■	■	■	■	■
Certifications	UL1034	■	■	■	■	■	■
	UL10C	■	■	■	■	■	■
	ANSI/BHMA 156.5 Grade 1, 1500 lb hold force rated	■	■	■	■	■	■
Application notes		1	2	3	4	5	6

Application notes:

- For use with mortise locks without deadbolt or cylindrical locks on single door, wood frame applications.
- For use with mortise locks without deadbolt or cylindrical locks on single door hollow metal or aluminum frame applications (includes wood frame on retrofit applications). Designed to replace Von Duprin 3041, 3042, 3061 and 3062.
- For use with mortise locks without deadbolt or cylindrical locks on single door hollow metal or aluminum frame applications. Designed to replace Folger Adams 310-2 3/4.
- For use with mortise locks without deadbolt or cylindrical locks on single door hollow metal or aluminum frame applications. Designed to replace Folger Adams 310-2.
- For use with mortise locks with deadbolt 1" throw on single door hollow metal aluminum or wood frame applications. Deadbolt must be manually operated. Designed to replace Folger Adams 310-3-1.
- Open back electric strike for use with mortise locks without deadbolt or cylindrical locks on 1 3/4" (44 mm) thick double door applications. 4 3/4" (120 mm) minimum stile required. For a concealed vertical rod and mortise device combination, specify "A" backbox.



Model specifications

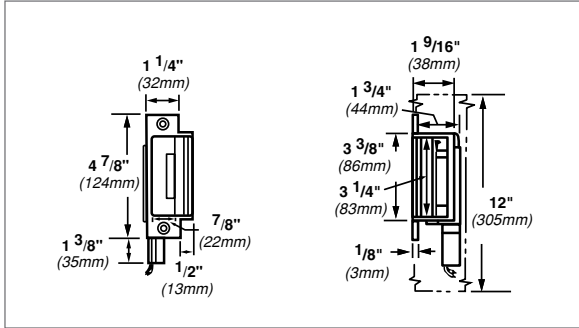
Model number		6222	6223	6224	6224AL	6225	6226
Retrofits model		FA 310-2 ¾ OB	VD 3091 VD 3092	FA 310-2 ¾	FA 310-2RF	FA 310-2 OB	FA 310-2
Latchbolt throw		¾"	¾"	¾"	¾"	¾"	¾"
Face plate length		9"	6"	9"	9"	9"	9"
Backbox depth		1 ⅝"	4 ½"	1 ⅝"	1 ⅝"	1 ⅝"	1 ⅝"
Lockset	Mortise	■	■	■	■	■	■
	Cylindrical	■	■	■	■	■	■
Number of doors	Single	---	---	---	---	---	---
	Pair	■	■	■	■	■	■
Door and frame type	Hollow metal	■	■	■	---	■	■
	Aluminum	■	■	■	■	■	■
	Wood	---	■	---	---	---	---
Options	DS or DS-LC (dual monitor switches)	■	■	■	■	■	■
	EB (entry buzzer - fail-secure only)	■	■	■	■	■	■
	28VDC AC rectifier kit	■	■	■	■	■	■
	16VDC solenoid	■	■	■	■	■	■
Certifications	UL1034	■	■	■	■	■	■
	UL10C	■	■	■	■	■	■
	ANSI/BHMA 156.5 Grade 1, 1500 lb hold force rated	■	■	■	■	■	■
Application notes		1	2	3	4	5	6

Application notes:

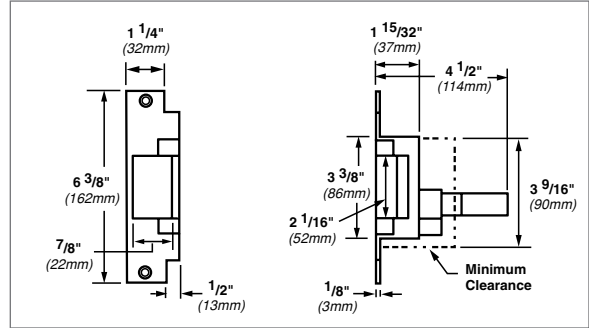
1. Open back electric strike for use with mortise locks without deadbolt or cylindrical locks on 1 ¾" (44 mm) thick double door applications
2. Closed back electric strike for use with mortise locks without deadbolt or cylindrical locks on 1 ¾" (44 mm) thick double door applications. 4 ¾" (120 mm) minimum stile required. For a concealed vertical rod and mortise device combination specify "A" backbox.
3. Closed back electric strike for use with mortise locks without deadbolt or cylindrical locks on 1 ¾" (44 mm) or 2 ¼" (57 mm) thick double door applications.
4. Closed back electric strike for use with mortise locks without deadbolt or cylindrical locks on 1 ¾" (44 mm) or 2 ¼" (57 mm) thick aluminum double door applications.
5. Open back electric strike for use with mortise locks without deadbolt or cylindrical locks on 1 ¾" (44 mm) thick double door applications.
6. Closed back electric strike for use with mortise locks without deadbolt or cylindrical locks on 1 ¾" (44 mm) or 2 ¼" (57 mm) thick double door applications.

Dimensions

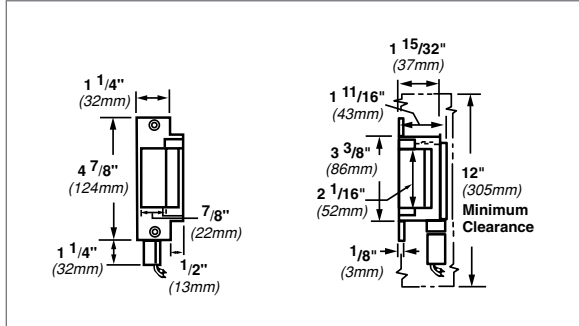
6210



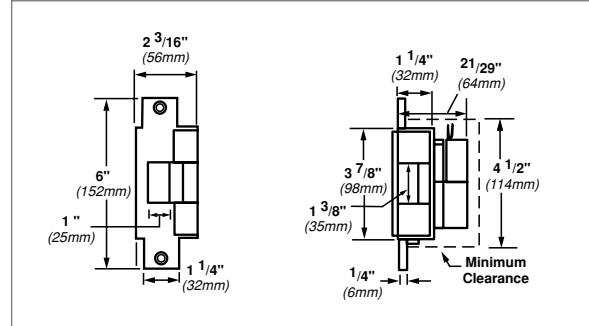
6212WF



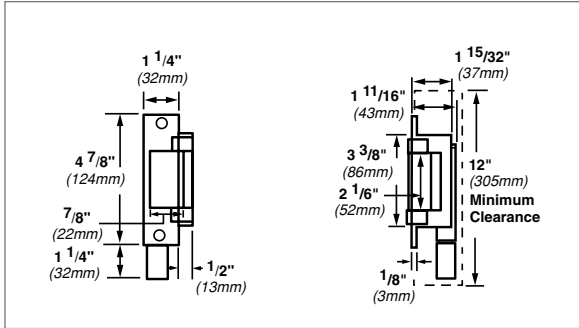
6211



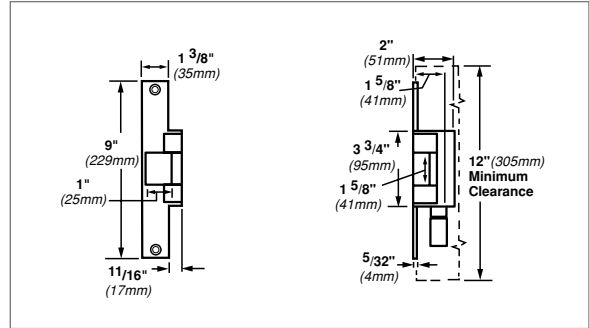
6213



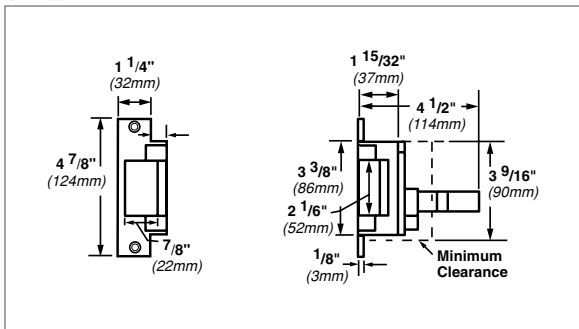
6211AL



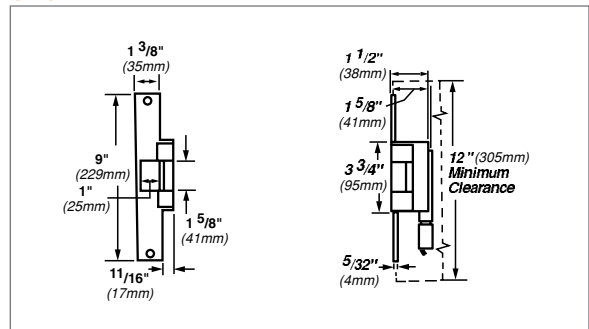
6214



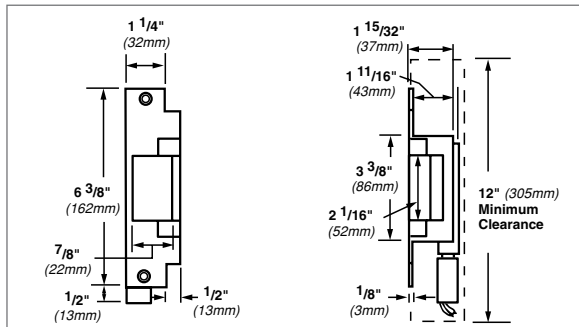
6211WF



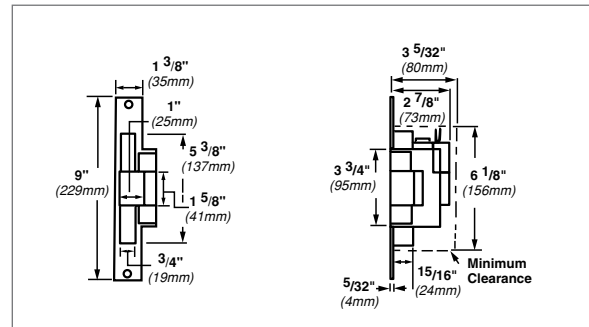
6215



6212

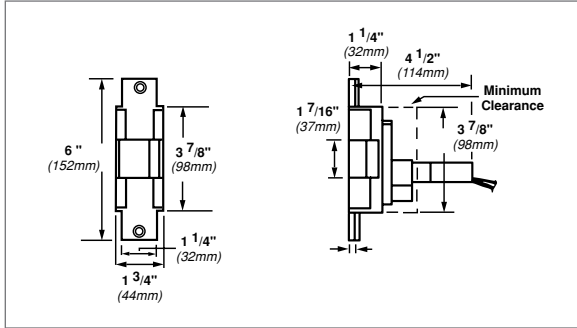


6216

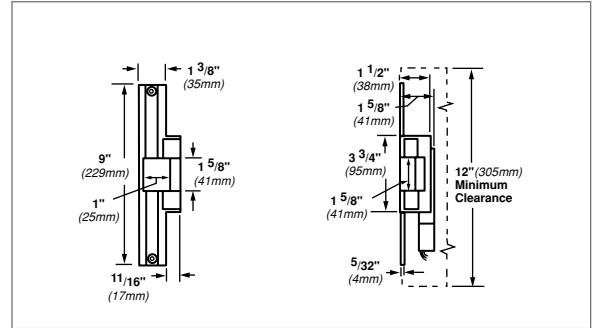


Dimensions

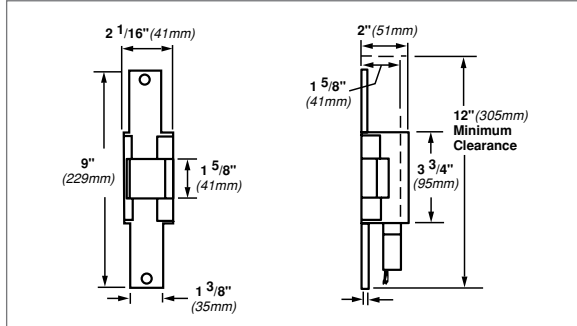
6221



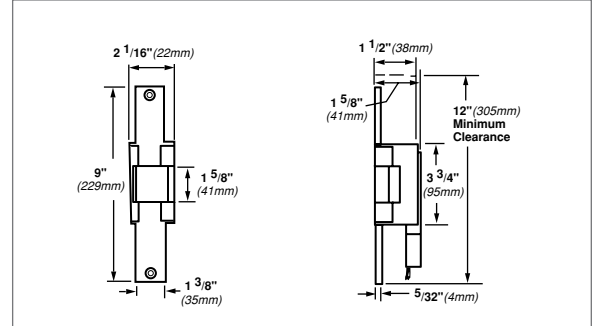
6224AL



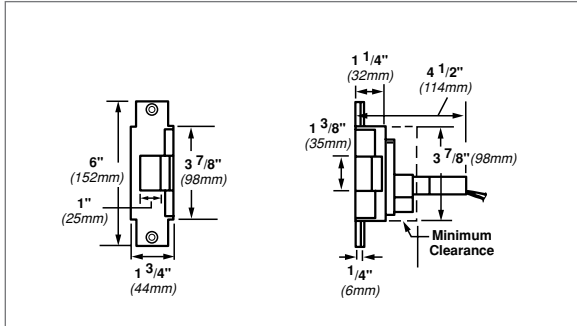
6222



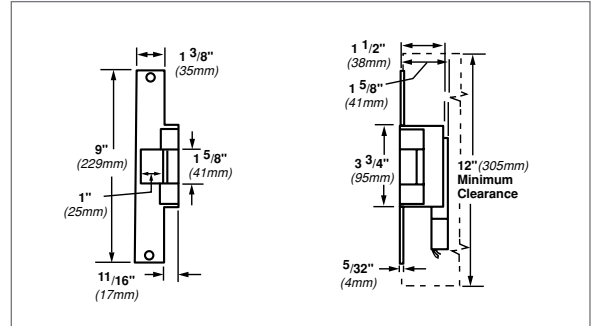
6225



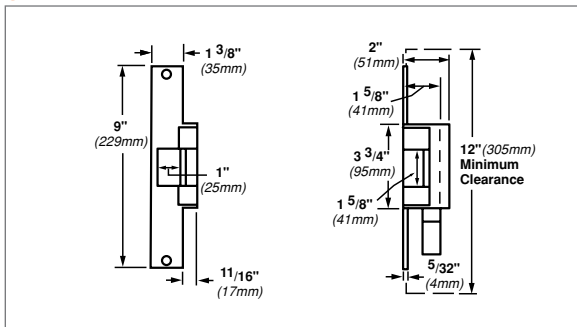
6223



6226



6224



Ordering information

6210-FSE-DS-24-S024-US3-EB-CON

Model	Power failure mode	Dual switch*	Voltage	Rectifier kit*	Finish	Buzzer*	Allegion Connect*
1	2	3	4	5	6	7	8

* Optional

Selections correspond with the numbers above

1	Model	2	Power failure mode	6	Finish US number/Von Duprin number
6210	See chart on page 3 to make the proper selection	FSE	Fail-secure. Requires power to be applied to unlock the strike lip. On loss of power, the strike lip is locked. Fire-rated.	US3/85	Plated polished brass on stainless steel
6211	See chart on page 3 to make the proper selection	FS	Fail-safe. Requires power to be applied to lock the strike lip. On loss of power, the strike lip is unlocked. Non-fire-rated.	US4/84	Plated dull brass on stainless steel
6211AL	See chart on page 3 to make the proper selection	3	Dual switch (optional)	US10/06	Plated dull bronze on stainless steel
6211WF	See chart on page 3 to make the proper selection	DS	Monitors latch bolt and lock status. DS switches rated at 24 VDC 50 milliampere - 2 amps.	US10B/86	Plated dark bronze on stainless steel
6112	See chart on page 3 to make the proper selection	DS-LC	Optional for computer monitoring. Monitors latch bolt & lock status. DS-LS switches rated 24 VDC 50 milliampere or less.	US32/31	Stainless steel, polished
6212WF	See chart on page 4 to make the proper selection	4	Voltage (VDC)	US32D/32	Stainless steel, satin
6213	See chart on page 4 to make the proper selection	24	Low voltage DC power	7	Buzzer (optional)
6214	See chart on page 4 to make the proper selection	12	Low voltage DC power	EB	Entry Buzzer. Only available if Fail-Secure (FSE) is specified.
6215	See chart on page 4 to make the proper selection	If AC power is required, specify rectifier kit below.		8	Allegion Connect
6216	See chart on page 4 to make the proper selection	5	Rectifier kit (optional)	CON	Allegion Connect Connector
6221	See chart on page 4 to make the proper selection	SO12	Converts 12 VAC voltage to 12 VDC to operate the solenoid	6 in. wire extension harness available	
6222	See chart on page 5 to make the proper selection	SO24	Converts 24 VAC voltage to 24 VDC to operate the solenoid		
6223	See chart on page 5 to make the proper selection				
6224	See chart on page 5 to make the proper selection				
6224AL	See chart on page 5 to make the proper selection				
6225	See chart on page 5 to make the proper selection				
6226	See chart on page 5 to make the proper selection				

Allegion, the Allegion logo, Schlage, Von Duprin, the Von Duprin logo, and Falcon are trademarks of Allegion plc, its subsidiaries and/or affiliates in the United States and other countries. All other trademarks are the property of their respective owners.

About Allegion

Allegion (NYSE: ALLE) creates peace of mind by pioneering safety and security. As a \$2 billion provider of security solutions for homes and businesses, Allegion employs more than 8,000 people and sells products in more than 120 countries across the world. Allegion comprises 27 global brands, including strategic brands CISA®, Interflex®, LCN®, Schlage® and Von Duprin®. For more, visit www.allegion.com.

aptiQ ■ LCN ■ SCHLAGE ■ STEELCRAFT ■ VON DUPRIN



ALLEGION™

© 2014 Allegion
005368, Rev. 08/14
www.allegion.com/us