

6170ED(F) Surface Vertical Rod



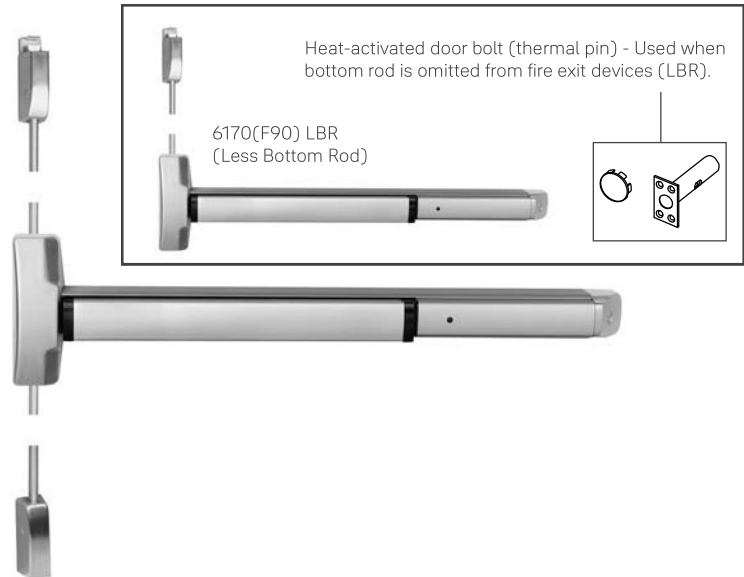
The 6170ED(F) is a surface vertical rod exit device to be used on wide stile and flush doors up to 10' where one- or two-point latching is desired. A Less Bottom Rod (LBR) option is available.

Features

- Designed for wide stile and flush doors
- Handed. Specify hand (field reversible)
- Interlocking top strike and latch mounting plate
- Available less bottom rod (LBR option)

Applications

- Single swing doors
- Pairs of doors with removable mullions
- Wide stile aluminum, metal, wood or composite door materials



Specifications

Rail Sizes:	-24 for 24" (60cm) doors -36 for 30" - 36" (76cm - 91cm) doors -42 for 36" - 42" (91cm - 107cm) doors -48 for 42" - 48" (107cm - 122cm) doors Alternate sizes can be special ordered. Consult Technical Product Support.
Door Thickness:	1-3/4" (44mm) standard. Optional thicknesses to 4-1/2"; specify when ordering.
Minimum Stile Width:	4-1/2" (114mm)
Projection:	3-1/4" (83mm) active; 2-1/2" (63.5mm) dogged
Latchbolt:	Top: 3/4" (19mm) pullman style with auto deadlatching; Bottom 5/8" (16mm) deadbolt, held retracted during door swing
Strike(s):	Top: 726; Bottom: flush-mounted 790. 794 floor strike optional (threshold openings)
Fasteners:	Machine screws or wood door screws standard for panic; sex nuts and bolts (SNB) supplied standard for fire
Handing:	Handed, please specify. Field reversible.
ANSI/BHMA:	Certified ANSI/BHMA A156.3 Type 2 Grade 1 standards
Dogging:	Hex key dogging standard on panic; optional cylinder dogging (-5)
Shim Kit:	#624SK optional
Finishes:	See page 6 for finish options
Options:	Rod extensions, Less Bottom Rod (LBR)
Door Height:	7' (213cm) standard. Optional heights 8', 9' and 10'.
Vertical Rods:	1/2" OD brass, bronze or stainless steel with rod guides